

## FCJJ-38



**+** **ADD-ON**



**FCJJ-24**

### HORIZON ENERGY MONITOR

This ideal accessory to FCJJ-38 feeds live experiment data to your PC to be displayed as graphical data.

## Product Description

Now you can generate electricity using nothing more than a combination of hot and cold water and a special conversion cell. As the temperature evens out between the two containers of water, the power level reduces. LED and mini turbines demonstrate the variance in the electrical power being generated and there are two thermometers to keep track of the temperature levels.

## Features

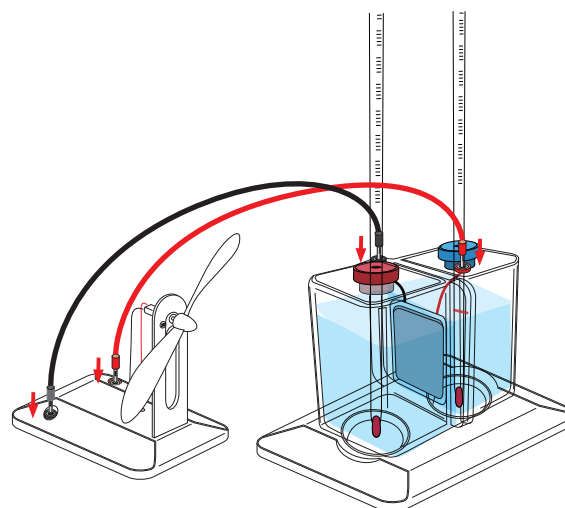


- ✓ Produce power from temperature difference (hot/cold water)
- ✓ LED and fan modules show variance in electric power being generated
- ✓ Examine the physics of heat exchange and the energy that can be captured
- ✓ Comes with CD, experiments, curriculum, and 2 thermometers

## Language Pack

- ✓ Assembly Guide :
- ✓ Technical Support Guide:

## Experiments & Activities



### ✓ Thermal energy experiments

1. Power a fan with two heat sources
2. Analyze power generation with the Renewable Energy Monitor
3. Understand the thermoelectric effect



## Kit Content

- ✓ LED module
- ✓ Water tank base
- ✓ Water tank seals
- ✓ Fan module
- ✓ Fan blade
- ✓ Thermoelectrical system
- ✓ Thermometers
- ✓ Wires
- ✓ Assembly guide
- ✓ Renewable Energy Curriculum CD

## Certification

ROHS, EN71:PART1;PART2;PART3, EN62115,  
 PHTH-EU, ASTM F963, CPSIA-LEAD,  
 CPSIA-PHTHALATES, REACH, CA.

\*All the information in this datasheet is subject to change without notice.  
 In case of doubt please contact the Horizon sales team.

## Packing Information

<b>Case Pack Quantity</b> (units):	1
<b>Master Pack Quantity</b> (units):	12
<b>Packaging Type:</b>	cardboard
<b>20' Container</b> (units):	3275
<b>40' Container</b> (units):	6680
<b>Unit Box Length</b> (cm/in):	29.7 / 11.69
<b>Unit Box Width</b> (cm/in):	20.6 / 8.11
<b>Unit Box Height</b> (cm/in):	9.7 / 3.82
<b>Unit Volume</b> (Litres/Cubic Meters):	5.9 / 0.006
<b>Unit Box Weight</b> (kg/lbs):	0.64 / 1.40
<b>Case Pack Length</b> (cm/in):	63 / 24.80
<b>Case Pack Width</b> (cm/in):	44 / 17.32
<b>Case Pack Height</b> (cm/in):	35 / 13.78
<b>Case Pack Volume</b> Litres/Cubic Meters):	97.0 / 0.097
<b>Case Pack Weight</b> (kg/lbs):	10.8 / 23.81

\*The cartons' size may vary between ±1-2 cm.

## Logistics Information

<b>Item UPC-Code:</b>	6942503405248
<b>Item HS-Code:</b>	-
<b>Manufactured in:</b>	Shanghai, China
<b>Local Warehouse</b>	Prague, Czech Republic
<b>FOB Harbor:</b>	Los Angeles, USA
<b>First Ship Date:</b>	available now
<b>Minimum Order:</b>	12